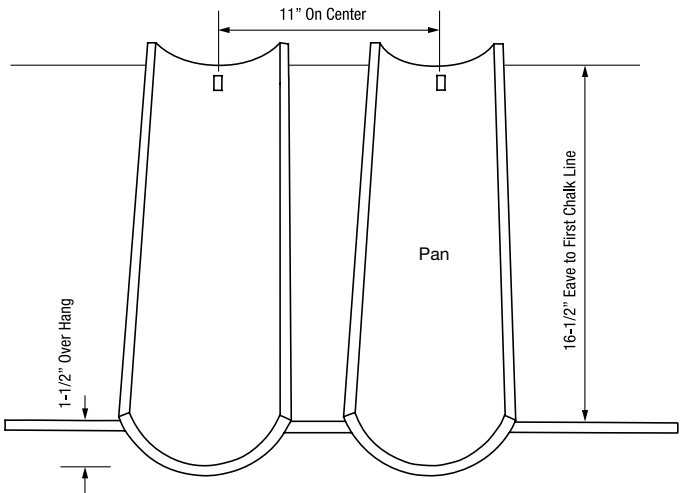
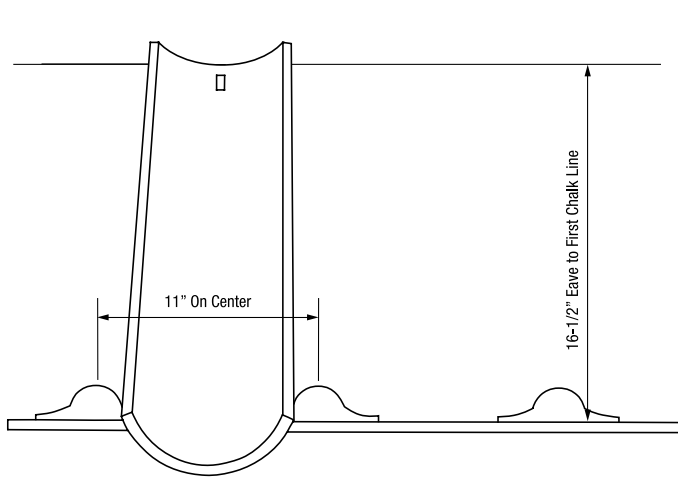


Faux Mission Clay Tiles

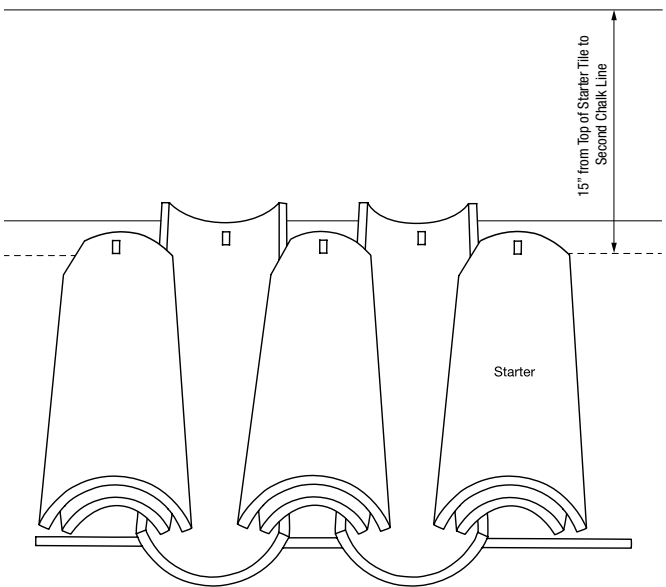
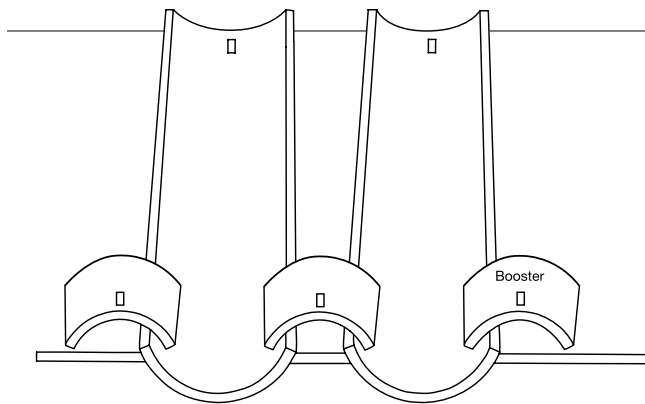
INSTALLATION GUIDE





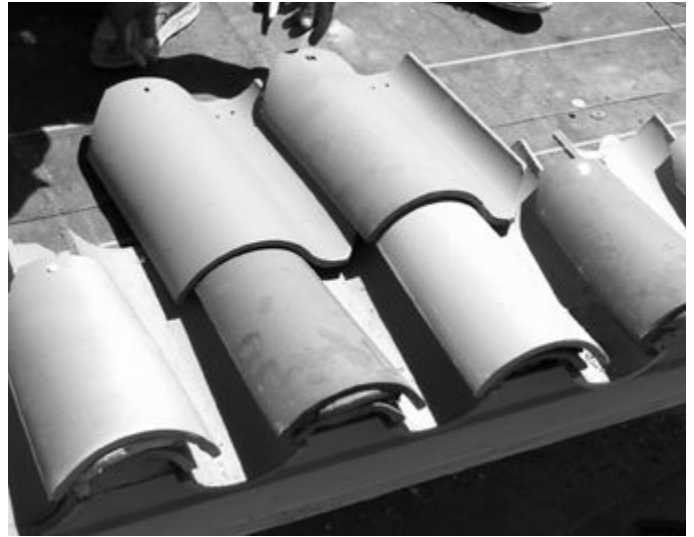
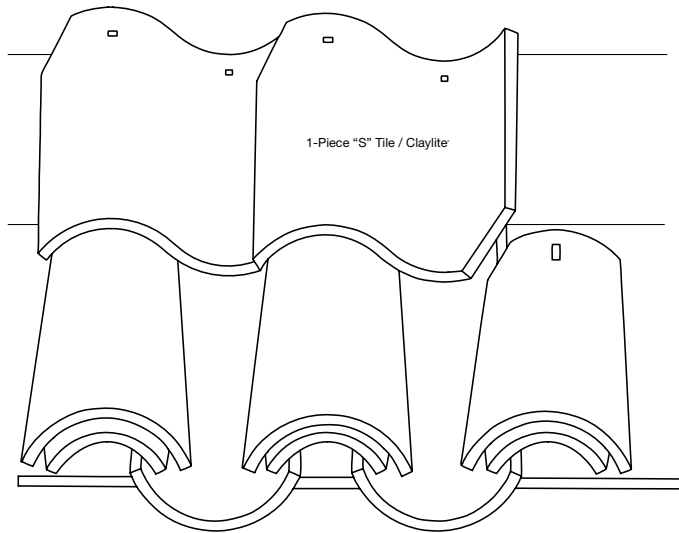
1. Chalk the first horizontal pan line at 16 1/2" from the eave.
2. Mark the on center spacing for pans at a maximum 11" along eave line. Install the birdstops along eave line between on center spacing for pans.

3. Install pans along eave line between birdstops by aligning the top edge of the pans with the horizontal chalk line marked at 16 1/2" for the eave.
4. Do not exceed the 11" maximum on-center spacing.



5. Cut off 3" booster piece along the factory "score" line from each booster/starter tile.
6. Rotate or reverse small booster tile so that factory fired edge (or small tapered end) is visible along the eave line.
7. Align booster tile with the lower exposed edge of the pan. Fasten each small booster tile by means of a tile nail with a butt hook, wire tie, or code approved adhesive method.

8. Make a diagonal cut at upper left corner of the starter/cover tile to match the diagonal cut of the 1-Piece "S" Tile or Claylite® field tile being used for the second course.
9. Install the 15" starter/cover tile directly over the small booster tiles along the eave line.
10. Chalk additional course line at maximum 15" course spacing from top of starter tiles.



11. Install the 1-Piece "S" Tile or Claylite® tile directly over the top edge of the 2-Piece Mission eave treatment. Ensure that a minimum 3" headlap is maintained.
12. Proceed with the remainder of the roof installation using the 1-Piece "S" or Claylite® field tiles.





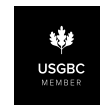
US Tile®

Clay Roofing Products

Sales Offices

Phoenix, ARIZONA
Corona, CALIFORNIA
Lathrop, CALIFORNIA
Stockton, CALIFORNIA
Rialto, CALIFORNIA
Denver, COLORADO

Pompano Beach, FLORIDA
Lake Wales, FLORIDA
Okeechobee, FLORIDA
Henderson, NEVADA
Fort Worth, TEXAS
Katy, TEXAS



About Westlake Royal Building Products™ | Roofing Solutions

The Roofing Solutions portfolio from Westlake Royal Building Products™ is a recognized, national leader in durable and sustainable clay, composite, concrete, and steel roof systems. Encompassing a suite of materials that provide strength, versatility, and refinement, our portfolio includes US Tile® Clay Roofing Products, Newpoint™ Concrete Roof Tile, Unified Steel™ Stone Coated Roofing, DaVinci® Roofscapes, and Westlake Royal™ Roofing Components, all designed to deliver a higher standard of roof installation, performance, and design.

BE BOUNDLESS™

THE PRODUCTS TO DO EVERYTHING. THE POWER TO DO EVEN MORE.

There are no limits to how far we innovate, how deeply we express, how strongly we commit and how boldly we go. **Together let's Be Boundless™.**

SIDING & ACCESSORIES TRIM & MOULDINGS ROOFING STONE WINDOWS OUTDOOR LIVING

Westlake
Royal Building Products™

© 2024 Westlake Royal Building Products

US Tile® Clay Roofing Products
WestlakeRoyalRoofing.com | 800.669.8453
Part# BR066 01/24 | 187054

