

Sol-R-Skin™ BLUE

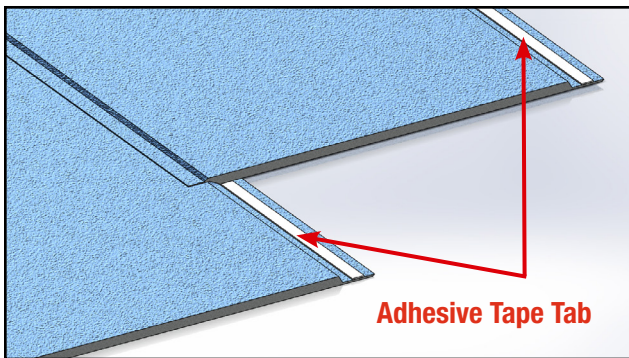
INSTALLATION GUIDE

These guidelines are provided to help with proper installation of **Sol-R-Skin™ BLUE**; however, local building codes may differ. Consult your local building code department for any additional installation requirements.

Sol-R-Skin™ BLUE multi-purpose underlayment is designed as a secondary water shedding membrane under stone coated steel, concrete and clay tile. The “multi-purpose” design acts as a Class A fire resistant underlayment, radiant barrier and thermal roof insulation. The primary roof covering must be installed over **Sol-R-Skin™ BLUE** within 60 days and on a roof pitch of 3:12 or greater.

GENERAL INSTALLATION:

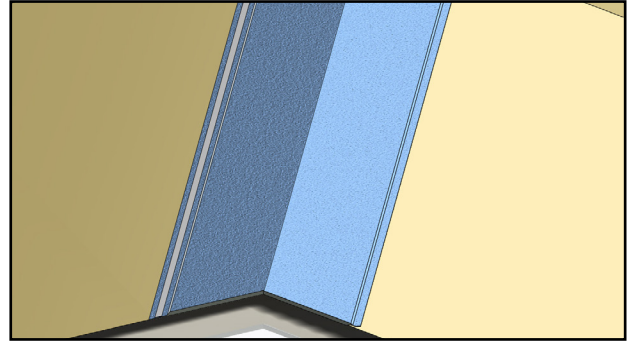
- **Sol-R-Skin™ BLUE** should be stored in a dry, covered area until use. **Do not double stack.**
- The roof decking must be clean, dry and free from loose debris.
- Underlayment shall be applied above properly vented roof spaces, foil side up, white adhesive tab up slope, laid in shingle fashion, parallel to and starting from the eave.
- **Head-lap of 6”** will be applied for all courses with the white tape tab (selvage edge) facing toward the ridge and toward the exterior. The fiberglass insulation should butt up against the fiberglass insulation of the previously installed course. Continue using the same method all the way to the ridge.



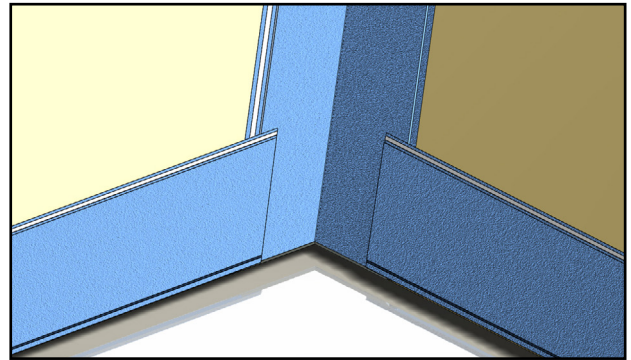
- Overlap the rolls such that the white adhesive tab is in alignment with the previous course. Remove the white adhesive film and affix the next roll to the tape by applying pressure.
- **End-laps will be a minimum of 6”.** It is recommended to apply aluminum foil seam tape to close off any open vertical seams in the field areas of the roof.
- Install **Sol-R-Skin™ BLUE** so that the underlayment is smooth and flat against the roof deck.
- It is recommended to use scissors or tin snips to cut the underlayment for quicker and cleaner installation.

VALLEY INSTALLATIONS:

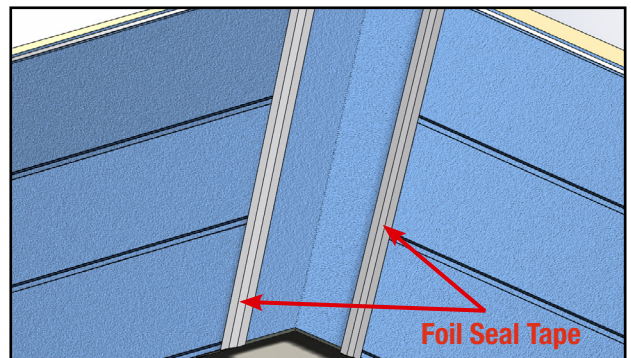
1. Install **Sol-R-Skin™ BLUE** as a valley bleeder, centered on the valley slope and extending the full length of the valley.



2. Install **Sol-R-Skin™ BLUE** into the valley and lap over the valley bleeder edge by a minimum of 4”. Fasten the **Sol-R-Skin™ BLUE** no less than 12” away from valley center.



3. Finish the valley by applying 6” wide aluminum Foil Seal Tape on both sides of the valley bleeder so that the **Sol-R-Skin™ BLUE** aluminum completely seals and covers the valley section of the roof.

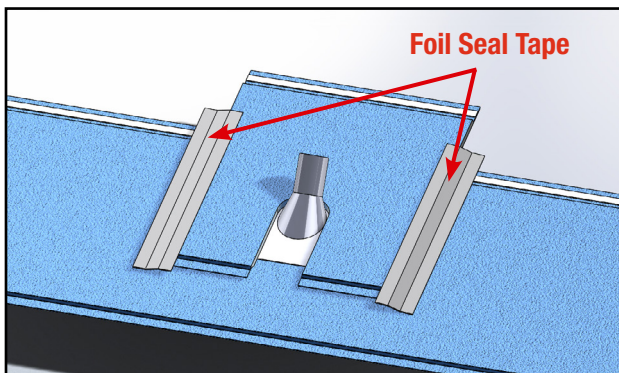


FASTENING:

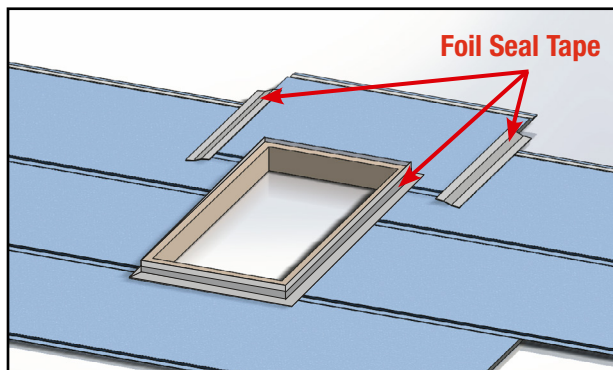
- Unroll as directed above and fasten using approved corrosion resistant plastic cap nails (plastic cap shall be minimum 1" diameter), spaced 6" on-center at vertical laps and 11" on-center horizontally or as directed by local code. **DO NOT USE STAPLES.**
- Plastic cap nails shall be spaced 13" on-center vertically and 22" on-center horizontally in the area inside the perimeter to hold the underlayment in place until roof material is installed. In Florida installations, the underlayment installation shall be in conformance with Table 1507.1.1 of the Florida Building Code.
- Ensure the cap nail shank has enough length to penetrate the sheathing no less than 3/4".
- The next row of underlayment shall be installed offset by 6' or as specified by local building code.

PIPE FLASHING DETAIL:

- Star cut a hole in the underlayment and place over existing pipe through. Install metal flashing in a "saddle" function. Cut underlayment to conform around the pipe flashing. Underlayment flashing must extend above the top edge of the row to allow being flashed by the next row of underlayment.

**SKYLIGHT / CHIMNEY DETAIL**

- An additional layer is required to flash up and around any roof penetration 4" and finished with aluminum foil seal tape. All laps must flow in the direction of the roof slope.

**SAFETY CONSIDERATIONS:**

- Observe safe roofing practices and requirements (OSHA).
- Use caution when walking or standing on **Sol-R-Skin™ BLUE** underlayment. Wet and dusty conditions may make the surface slippery. Failure to use proper safety gear and footwear can result in serious injury.

Placing Roofing Materials on Sol-R-Skin™ BLUE:

- Use roof jacks, toe boards or storage platforms secured to the underlying roof deck to prevent slippage of stored roofing materials.
- After removing any roof jacks, toe boards or storage platforms, repair any holes or tears in the **Sol-R-Skin™ BLUE** underlayment with aluminum foil seam tape.
- Contractors can walk on **Sol-R-Skin™ BLUE** when the product is dry. **DO NOT WALK on Sol-R-Skin™ BLUE when the product is wet.** Always follow safe roofing practices and OSHA requirements.
- Class A fire rating is achieved when using the product as part of a metal shingle system applied with battens or direct-to-deck.
- All local codes shall be followed.

